

Instructions for wear checks of play equipment

The equipment must be checked for correct operation and safety, especially the points listed below:

Proof of maintenance

Playground.....

Date of installation

Checks depend on the type of equipment. Any equipment with moving parts must be checked at least twice a year, static equipment at least once a year.

Intervals for maintenance work and checks generally depend on

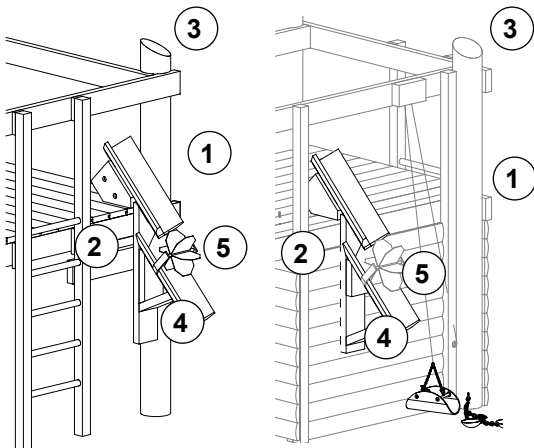
- location
- usage
- frequency of use
- possible vandalism

For more details see also our general instructions for maintenance of playgrounds!

Sand Tray

attached at building sites without walls
Order No. 5.97070

attached at building sites over walls
Order No. 5.97071



Sand Wheel
Order No. 5.97130



Wooden parts

1. Check for rot and, if necessary, smooth out splinters and round off sharp edges of cracks.
2. Check the screw and bolt connections to the base equipment for firmness, tighten if necessary.
3. **Recommendation:** apply paraffin wax to the upper end grain areas once a year, please refer to Order No. 0.90100, 1 litre.

Sand Wheel

4. Check that equipment rotates smoothly (brass bushes)
5. Check welded seams for stability (cracks). If required have welding repairs carried out by a qualified person and sand down.

Repair not carried out, it is still possible to play on equipment

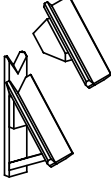
Repair not carried out, equipment is taken out of action

All work carried out, everything is in order

Maintenance carried out by:

..... Date

Special notes, e.g. for repairs

Spare parts Sand Tray, Sand Wheel Order No. 5.97070/5.97071/5.97130	Please note that the safety standards of the equipment must not be affected. Therefore, when carrying out repairs it is helpful to only use original parts.
Order No. Spare parts	
<p data-bbox="124 376 408 405">0.97070 Sand tray</p>  <p data-bbox="124 663 432 692">0.97130 Sand wheel</p> 