

# Instructions for wear checks of play equipment

The equipment must be checked for correct operation and safety, especially the points listed below:

Proof of maintenance

Playground.....

Date of installation .....

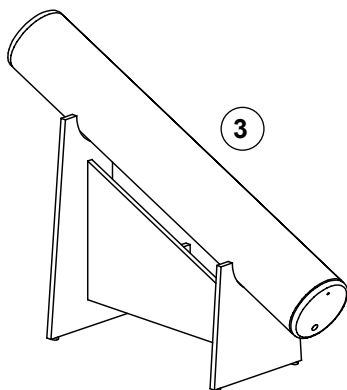
Checks depend on the type of equipment. Any equipment with moving parts must be checked at least twice a year, static equipment at least once a year.

Intervals for maintenance work and checks generally depend on

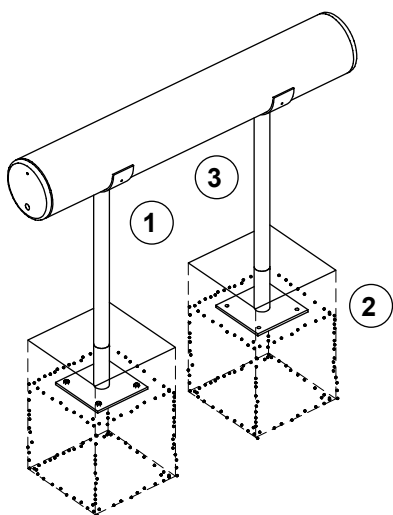
- location
- usage
- frequency of use
- possible vandalism

For more details see also our general instructions for maintenance of playgrounds!

**EVOPED® Indoor Drum**  
Order No. 12.00600



**EVOPED® Outdoor Drum**  
Order No. 12.00610



## Stainless steel

1. Clean with stainless steel spray (www.kim-tec.de) using a clean cloth.

## Structural stability

2. Check anchoring to the ground every 12 months.

## Wooden parts

3. Check that all bolts and screws are tight and retighten if necessary.
4. Check for rot and, if necessary, smooth out splinters and round off sharp edges of cracks.
5. If necessary, treat the surface (oil).






Special notes, e.g. for repairs

Repair not carried out, it is still possible to play on equipment

Repair not carried out, equipment is taken out of action

All work carried out, everything is in order

Maintenance carried out by:

..... Date .....