

Instructions for wear checks of play equipment

The equipment must be checked for correct operation and safety, especially the points listed below:

Proof of maintenance

Playground.....

Date of installation

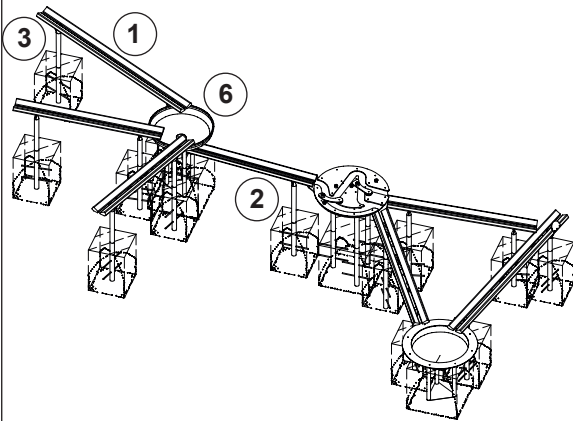
Checks depend on the type of equipment. Any equipment with moving parts must be checked at least twice a year, static equipment at least once a year.

Intervals for maintenance work and checks generally depend on

- the location
- the usage
- the frequency of use
- possible vandalism

For more details see also "General instructions for maintenance of playgrounds".

Ball Track
Order No. 9.19100/9.19200/9.19500



Wooden parts

1. Check for rot and, if necessary, smooth out splinters and round off sharp edges of cracks.
2. Check all the screw and bolt connections for firmness, tighten if necessary.
3. Check that the tracks are securely connected to the steel posts (check for wear and tear) and replace if necessary.

Functional parts

4. Check all functional parts and retighten screws and bolts, if necessary.

Structural stability

5. In order to check the fixation to the ground, uncover the foundation once a year.

Metal parts and fittings

6. File down any sharp edges that may arise from wear and tear.

Special notes, e.g. for repairs

Repair not carried out, it is still possible to play on equipment

Repair not carried out, equipment is taken out of action

All work carried out, everything is in order

Maintenance carried out by:

..... Date