

Instructions for wear checks of play equipment

The equipment must be checked for correct operation and safety, especially the points listed below:

Proof of maintenance

Playground

Date of installation

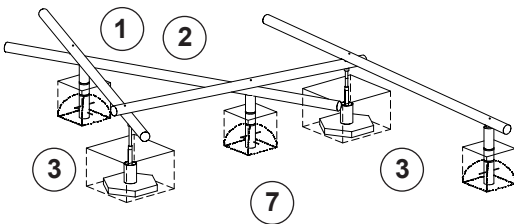
Checks depend on the type of equipment. Any equipment with moving parts must be checked at least twice a year, static equipment at least once a year.

Intervals for maintenance work and checks generally depend on

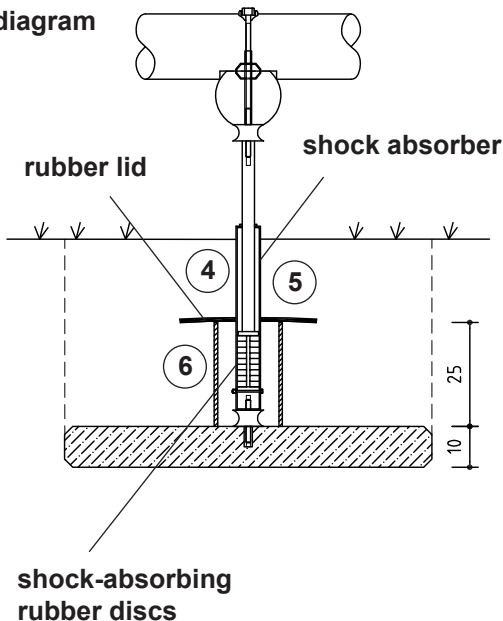
- location
- kind of use
- frequency of use
- possible vandalism

For more details see also "General instructions for maintenance of playgrounds".

Jackstraws See-saw
Order No. 6.50600/6.50601



detailed diagram



Wooden parts

1. Check for rot and, if necessary, smooth out splinters and round off sharp edges of cracks.
2. Check that all bolts and screws are tight and retighten if necessary.

Rubber components

3. Check for material fatigue (can become porous), replace if necessary.
4. Check rubber for vandalism (see detailed diagram).

Shock absorber

5. Check that shock absorbers are securely connected (see detailed diagram).
6. Check shock-absorbing rubber discs for wear and tear. Replace if they become worn and start to fall apart (decompose into individual pieces).

Structural stability

7. In order to check for rot at wooden parts or steel feet for corrosion, uncover the foundations once a year.

Repair not carried out, it is still possible to play on equipment

Repair not carried out, equipment is taken out of action

All work carried out, everything is in order

Maintenance carried out by:

..... Date

Special notes, e.g. for repairs