

Instructions for wear checks of play equipment

The equipment must be checked for correct operation and safety, especially the points listed below:

Proof of maintenance

Playground

Date of installation

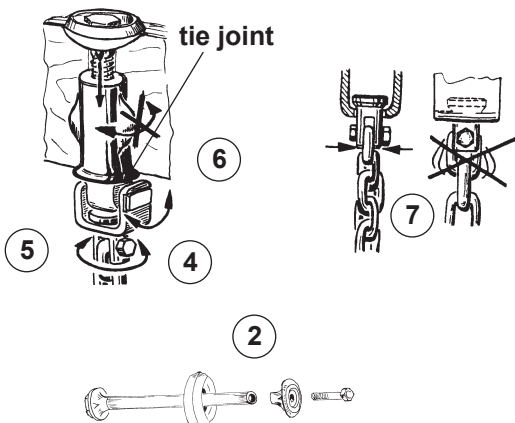
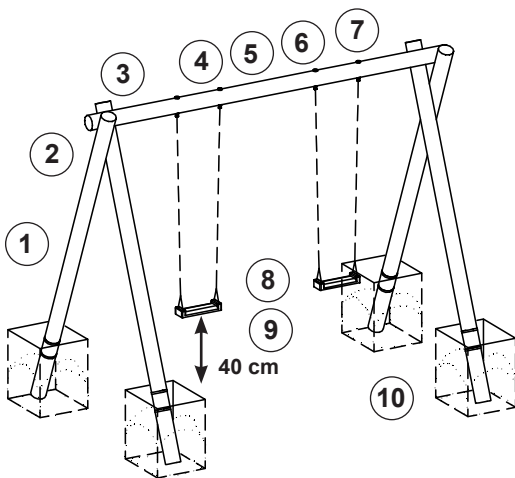
Checks depend on the type of equipment. Any equipment with moving parts must be checked at least twice a year, static equipment at least once a year.

Intervals for maintenance work and checks generally depend on

- location
- kind of use
- frequency of use
- possible vandalism

For more details see also "General instructions for maintenance of playgrounds".

High Twin Swing
Order No. 6.14000/
L6.14000/6.14200/6.14010



Wooden parts

1. Check for rot and, if necessary, smooth out splinters and round off sharp edges of cracks.
2. Check that all wood connections are tight and retighten if necessary.
3. **Recommendation:** apply paraffin wax to the upper end grain areas once a year, please refer to Order No. 0.90100, 1 litre.

Swing suspension

4. Make sure that the joints move smoothly.
5. Make sure that the swivels move smoothly, apply grease if required.
6. Check connection to wood, joint tie must fit closely.
7. Check chains and connections to chains; first chain link must be locked; check wear on contact surfaces between first and second chain link.

Swing seats

8. Replace if metal parts are exposed.
9. Check the seats for a ground clearance of 40 cm.

Structural stability

10. In order to check for rot at wooden parts or steel feet for corrosion, uncover the foundation once a year.

Repair not carried out, it is still possible to play on equipment

Repair not carried out, equipment is taken out of action

All work carried out, everything is in order

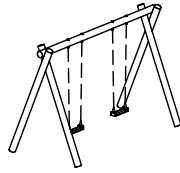
Maintenance carried out by:

..... Date

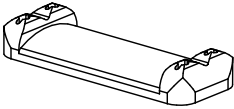
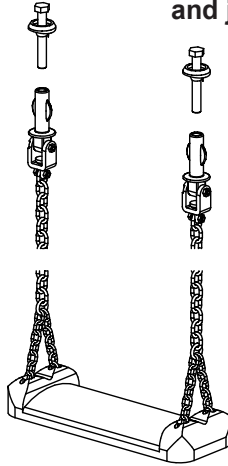
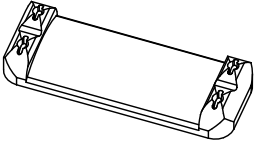

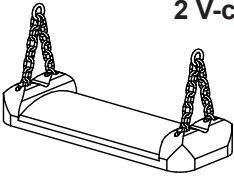
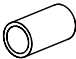

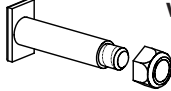
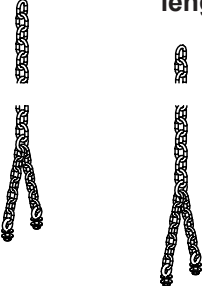
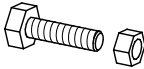
Special notes, e.g. for repairs

For spare parts refer to back of page.

**Spare Parts
High Twin Swing
Order No. 6.14000/L6.14000
6.14200/6.14010**



Please note that the safety standards of the equipment must not be affected. Therefore, when carrying out repairs it is helpful to **only use original parts**.

Order No. Spare part	Order No. Spare part
<p>0.93000 rubber swing Seat</p> 	<p>0.93120 rubber swing seat with chains and joints</p> 
<p>0.93010 rubber swing seat with 4 eyebolts</p> 	<p>0.93090 U-shackle with swivel</p> 
<p>0.93020 rubber swing seat with 2 V-chains</p> 	<p>0.88150 brass bush for square bar steel</p> 
<p>0.93021 V-chain</p> 	<p>0.20010 stainless steel machine bolt M8x55 with locking nut</p> 
<p>0.93100 chains (pair) 6 mm length 2.35 m</p> 	<p>0.20020 stainless steel machine bolt M8x28 with locking nut</p> 
<p>0.93110 rubber swing seat with chains</p> 