

Instructions for wear checks of play equipment

The equipment must be checked for correct operation and safety, especially the points listed below:

Proof of maintenance

Playground

Date of installation

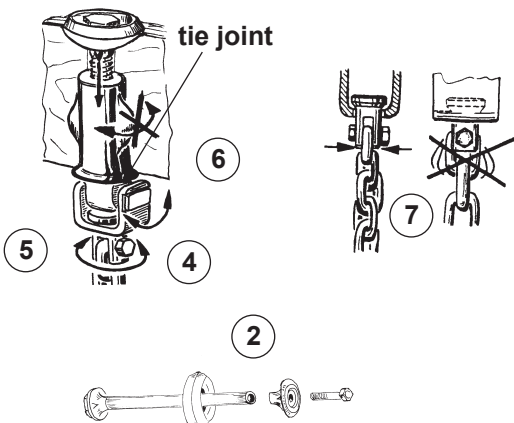
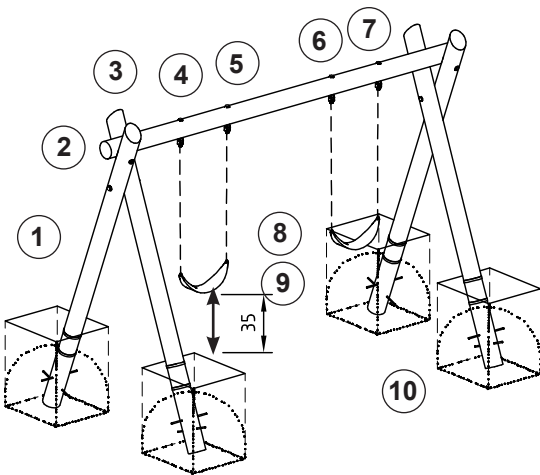
Checks depend on the type of equipment. Any equipment with moving parts must be checked at least twice a year, static equipment at least once a year.

Intervals for maintenance work and checks generally depend on

- location
- kind of use
- frequency of use
- possible vandalism

For more details see also "General instructions for maintenance of playgrounds".

Toddler's Twin Swing Order No. 6.12700



Wooden parts

1. Check for rot and, if necessary, smooth out splinters and round off sharp edges of cracks.
2. Check that all wood connections are tight and retighten if necessary.
3. **Recommendation:** apply paraffin wax to the upper end grain areas once a year, please refer to Order No. 0.90100, 1 litre.

Swing suspension

4. Make sure that the joints move smoothly.
5. Make sure that the swivels move smoothly, apply grease if required.
6. Check connection to wood, joint tie must fit closely.
7. Check chains and connections to chains; first chain link must be locked; check wear on contact surfaces between first and second chain link.

Belt seats

8. Check belt seat for vandalism (e.g. cuts) and replace if necessary
9. Check the seats for a minimum ground clearance of at least 35 cm

Structural stability

10. In order to check for rot at wooden parts or steel feet for corrosion, uncover the foundations once a year.

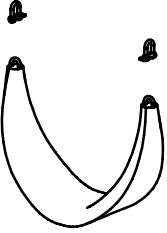
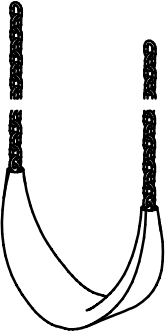
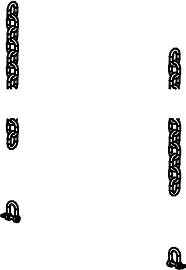

Repair not carried out, it is still possible to play on equipment	<input type="checkbox"/>	Special notes, e.g. for repairs
Repair not carried out, equipment is taken out of action	<input type="checkbox"/>	
All work carried out, everything is in order	<input type="checkbox"/>	
Maintenance carried out by:		

For spare parts refer to back of page.

..... Date

**Spare Parts
Toddler's Twin Swing
Order No. 6.12700**

Please note that the safety standards of the equipment must not be affected. Therefore, when carrying out repairs it is helpful to **only use original parts.**

Order No. Spare part	
<p>0.93030 Belt seat</p> 	
<p>0.93040 Belt seat with chains</p> 	
<p>0.87010 Chains (pair) 6 mm</p> 	
<p>0.93090 U-shackle with swivel</p> 	
<p>0.93130 Universal joint with swivel</p> 