

Instructions for wear checks of play equipment

The equipment must be checked for correct operation and safety, especially the points listed below:

Proof of maintenance

Playground

Date of installation

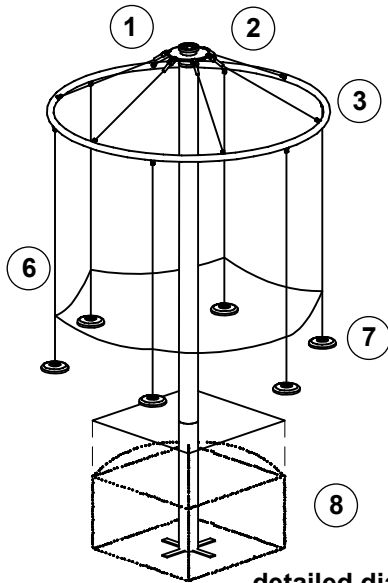
Checks depend on the type of equipment. Any equipment with moving parts must be checked at least twice a year, static equipment at least once a year.

Intervals for maintenance work and checks generally depend on

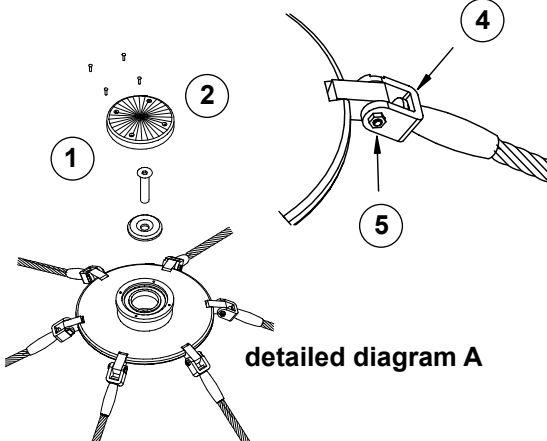
- location
- kind of use
- frequency of use
- possible vandalism

For more details see also "General instructions for maintenance of playgrounds".

Ring Scales Order No. 6.10300



detailed diagram B



detailed diagram A

Mechanism

1. Make sure that rotary bearings move freely and smoothly; if required, check ball bearing for wear and tear after removing the polyamide lid (see detailed diagram). Retighten tensioning bolt if required. Replace polyamide lid paying attention to step 2.
2. Check polyamide lid for damage. Make sure lid is fastened properly. It is imperative that the lid is watertight, replace if necessary.

Joints

3. Check that all bolts and screws are tight and retighten if necessary.
4. Make sure that the swivel (see detailed diagram B) moves smoothly, apply grease if required.
5. Check bearing bush (see detailed diagram A) carefully for wear, replace if necessary.

Ropes

6. Check for wear and tear. Replace if steel reinforcement is damaged.

Pendulum seats

7. Replace pendulum seats if metal parts are exposed.

Structural stability

8. Check the mast for corrosion and structural stability twice a year.

Repair not carried out, it is still possible to play on equipment

Repair not carried out, equipment is taken out of action

All work carried out, everything is in order

Maintenance carried out by: Date

Special notes, e.g. for repairs

For spare parts refer to page 3.

Additional notes

Maintenance of one post equipment with steel foot

This product is a one post equipment according to EN 1176-1.

Equipment of this kind requires special diligence with regard to planning, construction and maintenance.

In this document, you will find additional maintenance notes.

The following principles generally apply to one post equipment:

The longer the equipment has been in operation, the more diligence is required during maintenance.

Dynamic loads additionally stress the structural stability.

Frequency of use and a given excessive load must be taken into account when scheduling maintenance.

The goal of any inspection must be to ensure that the equipment can be safely used until the next check is due.

It is important to pay attention to the following special aspects for safe operation of one post equipment during regular inspections:

- Check the structural stability twice a year, uncover the foundations to do this
- Examine the earth/air zone of stand posts with extra care

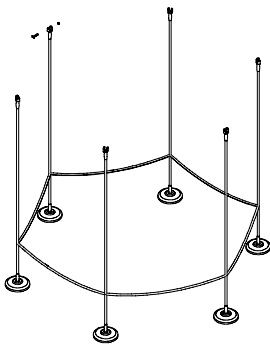
**Spare Parts
Ring Scales
Order No. 6.10300**



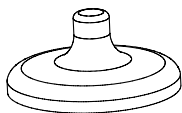
Please note that the safety standards of the equipment must not be affected. Therefore, when carrying out repairs it is helpful to **only use original parts**.

Order No. Spare part

0.89200 1 set of vertical ropes with seats



0.94110 pendulum seat without disc



0.94124 disc for pendulum seat

