

Instructions for wear checks of play equipment

The equipment must be checked for correct operation and safety, especially the points listed below:

Proof of maintenance

Playground.....

Date of installation

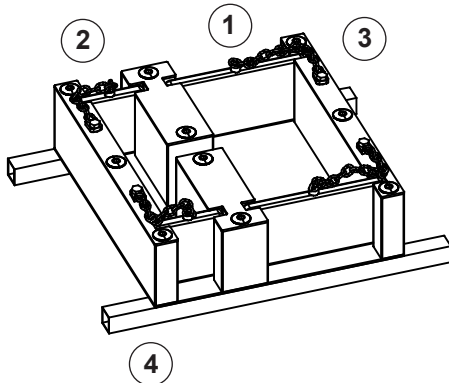
Checks depend on the type of equipment. Any equipment with moving parts must be checked at least twice a year, static equipment at least once a year.

Intervals for maintenance work and checks generally depend on

- the location
- the usage
- the frequency of use
- possible vandalism

For more details see also "General instructions for maintenance of playgrounds".

Canal Lock
Order No. 5.28045



Operation

1. Ensure sliding elements move smoothly and check for leakage; if sand or similar has collected in the guide housings, rinse with water – small amounts of water will flow through even if the gate shuts well.
2. Check sliding elements for wear and tear.
3. Check that chain anchors and cover sheets are securely fastened.

Structural stability

4. Check anchoring to concrete every 12 months.

Note

In order to extend the durability of the equipment, we recommend removing the equipment parts that are covered with soft plastic (PUR) for the winter.

Special notes, e.g. for repairs

Repair not carried out, it is still possible to play on equipment

Repair not carried out, Equipment is taken out of action

All work carried out, everything is in order

Maintenance carried out by:

..... Date