

Instructions for wear checks of play equipment

The equipment must be checked for correct operation and safety, especially the points listed below:

Proof of maintenance

Playground.....

Date of installation

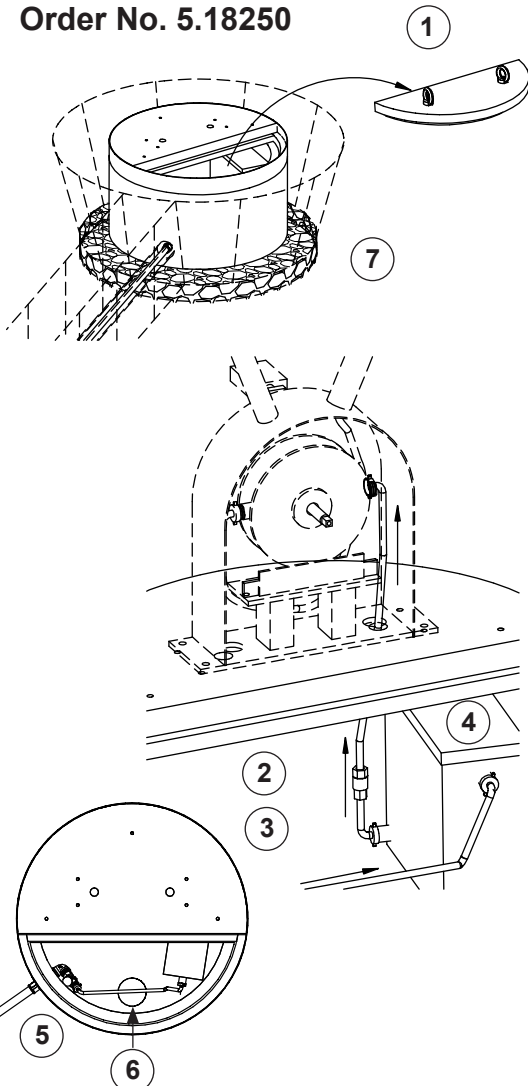
Checks depend on the type of equipment. Any equipment with moving parts must be checked at least twice a year, static equipment at least once a year.

Intervals for maintenance work and checks generally depend on

- the location
- the usage
- the frequency of use
- possible vandalism

For more details see also "General instructions for maintenance of playgrounds".

Concrete Well for Pedal Pump with stainless steel water reservoir
Order No. 5.18250



Opening for maintenance

1. Use the included eyebolts M12 to lift and remove the concrete service lid.

Water supply

2. Check hoses for wear and tear, replace if necessary.
3. Check all hose and tube connectors for leakage, and replace sealings if necessary.
4. Check the float valve inside the water reservoir for leakage as well as for proper operation, and clean the reservoir if necessary.
5. Check that the water supply and the shut-off cock inside the well are in proper condition.

Concrete well

6. Check the drainage in the floor of the well (Ø 100 mm) for proper operation by pouring water into the hole in the ground.

Structural stability

7. Check anchoring to the ground once a year.

Note

Prior to the start of the frost period, turn off water supply and drain the water reservoir. If the pedal pump has been removed, you can close the opening using the winter lid of the pedal pump.

Repair not carried out, it is still possible to play on equipment

Repair not carried out, equipment is taken out of action

All work carried out, everything is in order

Maintenance carried out by:

..... Date

Special notes, e.g. for repairs