

# Instructions for wear checks of play equipment

The equipment must be checked for correct operation and safety, especially the points listed below:

Proof of maintenance

Playground.....

Date of installation .....

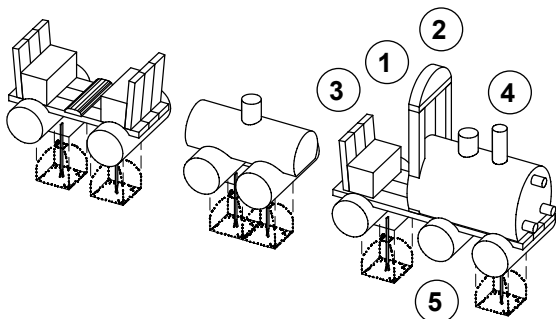
Checks depend on the type of equipment. Any equipment with moving parts must be checked at least twice a year, static equipment at least once a year.

Intervals for maintenance work and checks generally depend on

- location
- usage
- frequency of use
- possible vandalism

For more details see also our general instructions for maintenance of playgrounds!

**RIKO Railway**  
Order No. 4.24120/4.24121



**Locomotive**  
Order No. 4.24122

**Rail Tender**  
Order No. 4.24123

**Wagon with Seats**  
Order No. 4.24124

## Wooden parts

1. Check for rot and, if necessary, smooth out splinters and round off sharp edges of cracks.
2. Check that all bolts and screws are tight and retighten if necessary.
3. **Recommendation:** apply paraffin wax to the upper end grain areas once a year, please refer to Order No. 0.90100, 1 litre.

## Steel bell

4. Check that the bell is present and securely connected, retighten screws/bolts if necessary.

## Structural stability

5. In order to check for rot at wooden parts and steel feet for corrosion, uncover the foundations once a year.






Special notes, e.g. for repairs

Repair not carried out, it is still possible to play on equipment

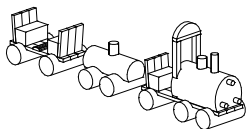
Repair not carried out, equipment is taken out of action

All work carried out, everything is in order

Maintenance carried out by:

..... Date .....

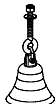
**Spare parts**  
**RIKO Railway**  
**Order No. 4.24120/4.24121**



Please note that the safety standards of the equipment must not be affected. Therefore, when carrying out repairs it is helpful to **only use original parts.**

**Order No. Spare parts**

**0.92070 Brass bell**



**99.01264 Roller**

