

Instructions for wear checks of play equipment

The equipment must be checked for correct operation and safety, especially the points listed below:

Proof of maintenance

Playground

Date of installation

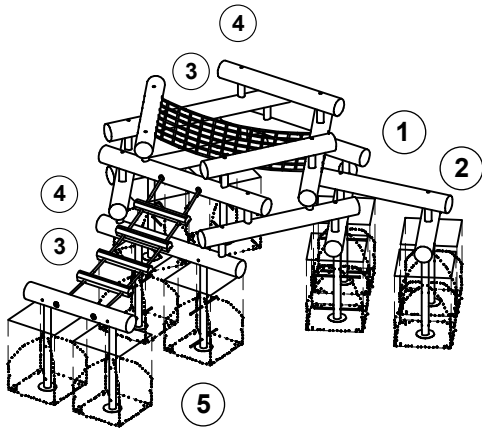
Checks depend on the type of equipment. Any equipment with moving parts must be checked at least twice a year, static equipment at least once a year.

Intervals for maintenance work and checks generally depend on

- location
- kind of use
- frequency of use
- possible vandalism

For more details see also "General instructions for maintenance of playgrounds".

Climbing Stack 5
Order.-No. 4.21050



Wooden parts

1. Check for rot and, if necessary, smooth out splinters and sharp edges of cracks.
2. Check that all bolts and screws are tight and retighten if necessary.

Net / Suspension Bridge

3. Check connection to wood, if necessary retighten screws/bolts.
4. Check the net/suspension bridge for wear and tear, if the steel reinforcement is damaged it is imperative it be replaced.

Structural stability

5. In order to check the steel feet for corrosion, uncover the foundation once a year.

Special notes, e.g. for repairs

Repair not carried out, it is still possible to play on equipment

Repair not carried out, equipment is taken out of action

All work carried out, everything is in order

Maintenance carried out by:

..... Date