

# Instructions for wear checks of play equipment

The equipment must be checked for correct operation and safety, especially the points listed below:

Proof of maintenance

Playground .....

Date of installation .....

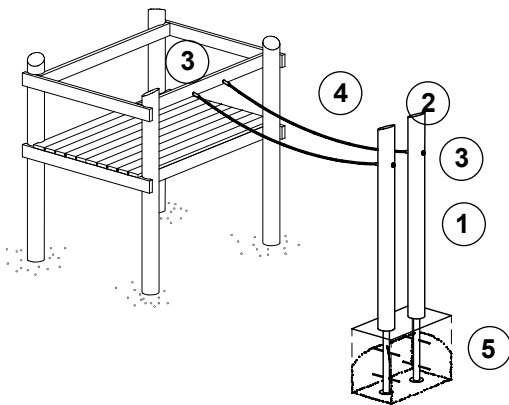
Checks depend on the type of equipment. Any equipment with moving parts must be checked at least twice a year, static equipment at least once a year.

Intervals for maintenance work and checks generally depend on

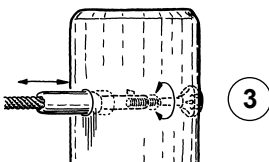
- location
- kind of use
- frequency of use
- possible vandalism

For more details see also "General instructions for maintenance of playgrounds".

**Double Hanging Rope**  
for attachment to platform  
**Order No. L3.68510**



detailed diagram



## Wooden parts

1. Check for rot and, if necessary, smooth out splinters and round off sharp edges of cracks.
2. **Recommendation:** apply paraffin wax to the upper end grain areas once a year, please refer to Order No. 0.90100, 1 litre.

## Rope connections

3. Check that bolts and screws are tight and retighten if necessary (see detailed diagram).
4. Check ropes for wear and tear, if the steel reinforcement is damaged it is imperative it be replaced.

## Structural stability

5. In order to check for rot at wooden parts or steel feet for corrosion, uncover the foundation once a year.

Special notes, e.g. for repairs

Repair not carried out, it is still possible to play on equipment

Repair not carried out, equipment is taken out of action

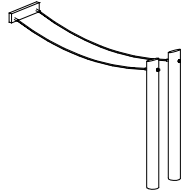
All work carried out, everything is in order

Maintenance carried out by:

For spare parts refer to back of page.

..... Date .....

**Spare Parts**  
**Double Hanging Rope**  
for attachment to platform  
**Order No. L3.68510**



Please note that the safety standards of the equipment must not be affected. Therefore, when carrying out repairs it is helpful to **only use original parts.**

**Order No. Spare part**

**0.92190** hanging rope with fastening on both sides, length 2,89 m

