

# Instructions for wear checks of play equipment

The equipment must be checked for correct operation and safety, especially the points listed below:

Proof of maintenance

Playground.....

Date of installation .....

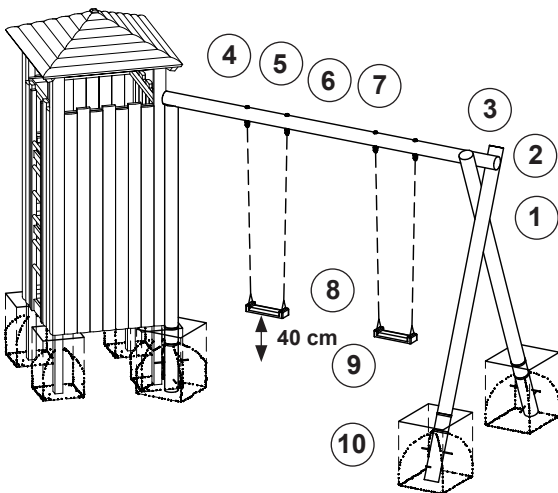
Checks depend on the type of equipment. Any equipment with moving parts must be checked at least twice a year, static equipment at least once a year.

Intervals for maintenance work and checks generally depend on

- the location
- the usage
- the frequency of use
- possible vandalism

For more details see also "General instructions for maintenance of playgrounds".

**High Twin Swing for towers**  
**Order No. 3.19040**



## Wooden parts

1. Check for rot and, if necessary, smooth out splinters and round off sharp edges of cracks.
2. Check that all wood connections are tight and retighten if necessary.
3. Recommendation: apply paraffin wax to the upper end grain areas once a year, please refer to order No. 0.90100, 1 litre.

## Swing suspension

4. Make sure that the joints move smoothly.
5. Make sure that the swivels move smoothly, apply small amount of grease if required.
6. Check connection to wood, tie joint must fit closely.
7. Check chain and connections to chain: the first chain link must be locked; check wear on contact surfaces between first and second chain link.

## Swing seats

8. Replace if metal parts are exposed.
9. Check the seat for a minimum ground clearance of 40 cm.

## Structural stability

10. In order to check for rot at wooden parts, uncover the foundations once a year.

Special notes, e.g. for repairs

Repair not carried out, it is still possible to play on equipment

Repair not carried out, equipment is taken out of action

All work carried out, everything is in order

Maintenance carried out by:

..... Date .....