

Instructions for wear checks of play equipment

The equipment must be checked for correct operation and safety, especially the points listed below:

Proof of maintenance

Playground.....

Structural stability

Date of installation

In order to check for rot at wooden parts and steel feet for corrosion, uncover the foundations once a year.

Checks depend on the type of equipment. Any equipment with moving parts must be checked at least twice a year, static equipment at least once a year.

Single equipment

Intervals for maintenance work and checks generally depend on

Please pay attention to the **separate maintenance notes** of the following single equipment:

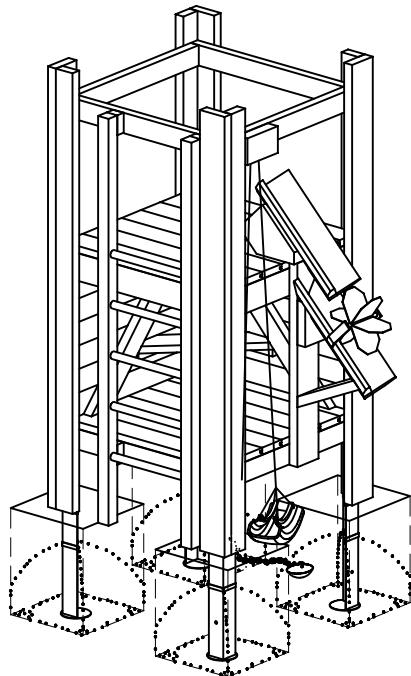
- location
- usage
- frequency of use
- possible vandalism

Platform Hut, h=0.50/1.50 m	Order No. 3.13100	<input type="checkbox"/>
Sand Play Equipment	3.19100	<input type="checkbox"/>

For more details see also our general instructions for maintenance of playgrounds!

Note: Please check that all documents are included!

Hut Combination 34
Order No. 2.13400



Special notes, e.g. for repairs

Repair not carried out, it is still possible to play on equipment

Repair not carried out, equipment is taken out of action

All work carried out, everything is in order

Maintenance carried out by:

..... Date