

Instructions for wear checks of play equipment

The equipment must be checked for correct operation and safety, especially the points listed below:

Proof of maintenance

Playground

Date of installation

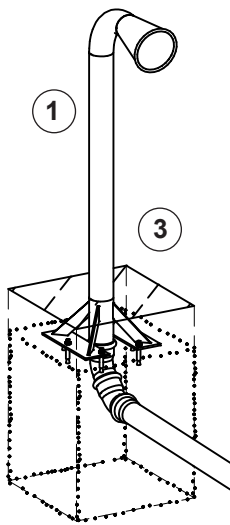
Checks depend on the type of equipment. Any equipment with moving parts must be checked at least twice a year, static equipment at least once a year.

Intervals for maintenance work and checks generally depend on

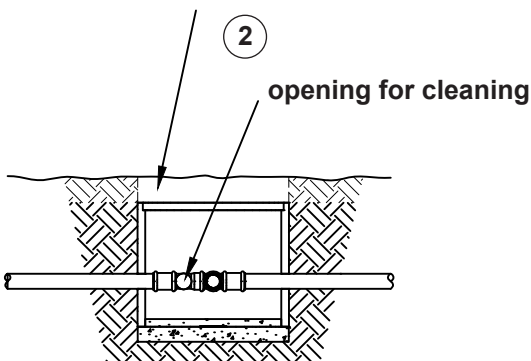
- location
- kind of use
- frequency of use
- possible vandalism

For more details see also "General instructions for maintenance of playgrounds".

Conference
Order No. 10.55000



collecting well



Cleaning of surfaces

1. Clean the stainless steel with a special stainless steel cleaning agent and clean cloth

Pipe system

2. If necessary, clean and drain pipes via collecting well

Structural stability

3. Check the anchoring to the ground once a year for stability

Repair not carried out, it is still possible to play on equipment

Repair not carried out, equipment is taken out of action

All work carried out, everything is in order

Maintenance carried out by:

..... Date

Special notes, e.g. for repairs