

Instructions for wear checks of play equipment

The equipment must be checked for correct operation and safety, especially the points listed below:

Proof of maintenance

Playground.....

Date of installation

Checks depend on the type of equipment. Any equipment with moving parts must be checked at least twice a year, static equipment at least once a year.

Intervals for maintenance work and checks generally depend on

- the location
- the usage
- the frequency of use
- possible vandalism

For more details see also "General instructions for maintenance of playgrounds".

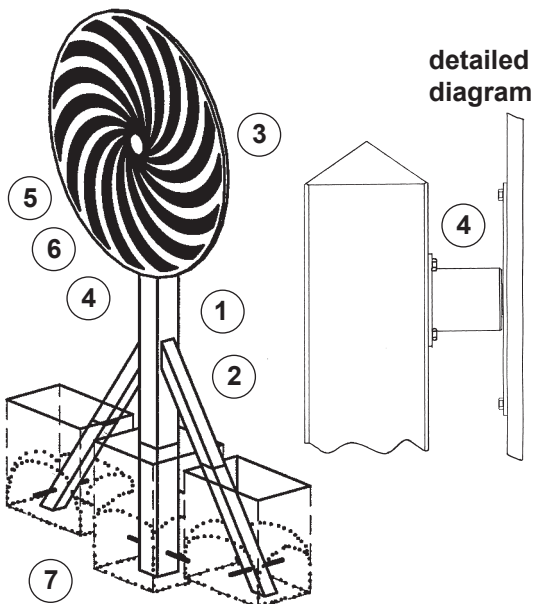
Rotating Discs with wooden frame

Order No. 10.22100 **Order No. 10.22500**
Spiral Funnel

Order No. 10.22200 **Order No. 10.22600**
Funnel Pulsation 2

Order No. 10.22300 **Order No. 10.22700**
Pulsation Pulsation 2

Order No. 10.22400 **Order No. 10.22800**
Colour Disc Spiral 2



Wooden parts

1. Check for rot and, if necessary, smooth out splinters and round off scratches from sharp edges.
2. **Recommendation:** apply wood preservative wax (www.complex-farben.com) once a year.

Bearing

3. Check for smooth operation.

Disc

4. Check bolts and screws of the fixture for wear and tear and ensure they are tight. Retighten if necessary (**see detailed diagram**).
5. Clean the lacquered surface with a car varnish (www.sonax.de).
6. Repair damaged areas with an acrylic varnish in a matching colour.

Structural stability

7. In order to check the posts for rot, uncover the foundations once a year.

Special notes, e.g. for repairs

Repair not carried out, it is still possible to play on equipment

Repair not carried out, equipment is taken out of action

All work carried out, everything is in order

Maintenance carried out by:

For spare parts refer to back of page.

..... Date

Spare Parts
Rotating Discs
Order No. 10.22100 -
10.22800



Please note that the safety standards of the equipment must not be affected. Therefore, when carrying out repairs it is helpful to **only use original parts.**

Order No. Spare part

10.99913 rotating disc

please indicate the motif

