

Play value

Our Play Cube consists of a space element that offers various opportunities for hiding and going through openings. The cosiness of the little niche also provides the children with enough space for fantasy-full role-playing games. The equipment can be accessed via a small wall or an inclined climbing net.

Fundamental characteristics

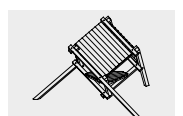
- Child-oriented dimensions according to ergonomic knowledge
- The space-defining design appeals to the senses
- High-quality design
- Numerous play offers
- Incentive for playing: cosy room, role-playing game
- Movement: climbing, balancing

Recommended for

- Kindergarten children
- School children
- Supervised play areas, such as kindergartens, schools, after-school programmes or similar
- Public play areas without supervision, such as playgrounds, parks or similar

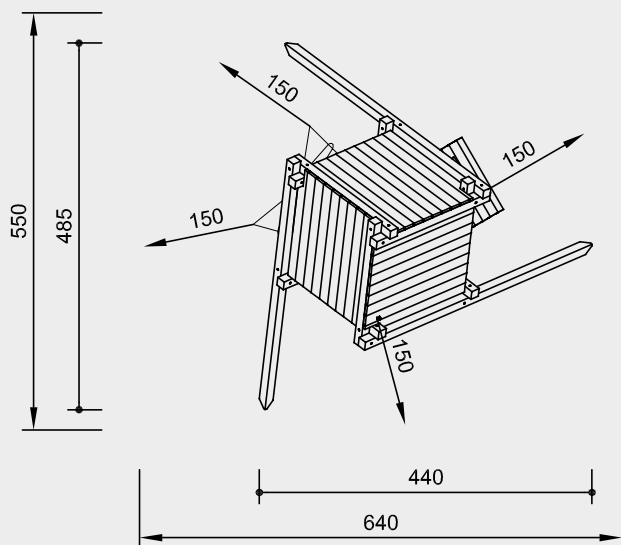
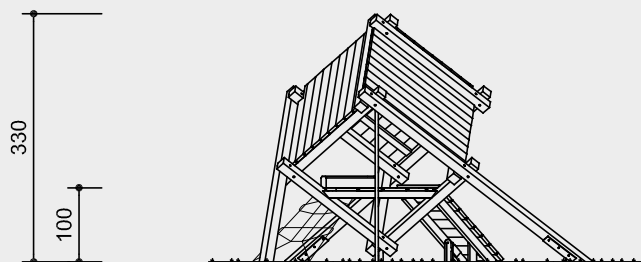


Play Cube with Sliding Pole, Inclined Wall and Inclined Climbing Net



Order No. 4.09200
Play Cube with Sliding Pole,
Inclined Wall and Inclined Climbing Net

Safety distance 
 Device dimensions 
 Functional distance 



Scale 1:100

Safety check according to DIN EN 1176

Components

- 1 Play Cube with steel feet
- 1 Sliding Pole
- 1 Inclined Climbing Net
- 1 Inclined Wall with steel feet

Installation information

Surfacing requirements corresponding to a fall height of ≤ 1.50 m (please refer to price list for more detailed information)

Foundations

Play Cube

- 1 item 70 x 70 x 60 cm
- Excavation depth 80 cm
- 3 items 70 x 70 x 40 cm
- Excavation depth 60 cm

Sliding Pole

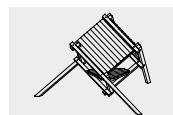
- 1 item 30 x 30 x 30 cm
- Excavation depth 50 cm

Net

- 2 items 50 x 50 x 40 cm
- Excavation depth 80 cm

Inclined Wall

- 1 items 50 x 105 x 40 cm
- Excavation depth 60 cm



4.09200

Technical information

Equipment made of non-impregnated mountain larch

Core-free

Sawn-timbers core-free, thus decreasing occurrences of cracking and undesired changes in shape



Tongue and groove

Tongue and groove planks made of 4 cm solid wood, highly resilient, no trickling of dust / sand, protection against direct rain



Richter Hercules type rope

Richter Hercules type rope, a combination of galvanised six-strand steel cables and polyester yarn, diameter > 20 mm, laid and glued with very good abrasion resistance, strong sheathing even in the case of damage by puncturing



Aluminium rope pressing

Aluminium rope pressing, cylindrically pressed, with rounded ends



Rope connection fixed

Fixed rope connection without dangerous openings. Screw connection adjustable and countersunk in the wood



Profiled washer

Profiled washer for covering protruding screw heads according to standard, improved pressure distribution and protection against water. Impedes loosening the bolt



Adjustable

Adjustable two-piece bolt connection, easy to maintain, no projecting threads



Ground anchor

All parts used for anchoring to the ground are made of hot-dip galvanised steel or stainless steel



For more detailed explanation of the quality characteristics see price list.

Sliding Pole made of stainless steel, glass bead blasted, $\varnothing 42$ mm

Dimensions

(small deviations possible)

Height	3.30 m
Floor height	1.00 m
Length	4.40 m
Width	4.85 m
Weight	approx. 840 kg

Attention:

Exact measurements may vary; for all installation dimensions refer to current assembly instructions.

Technical changes reserved.