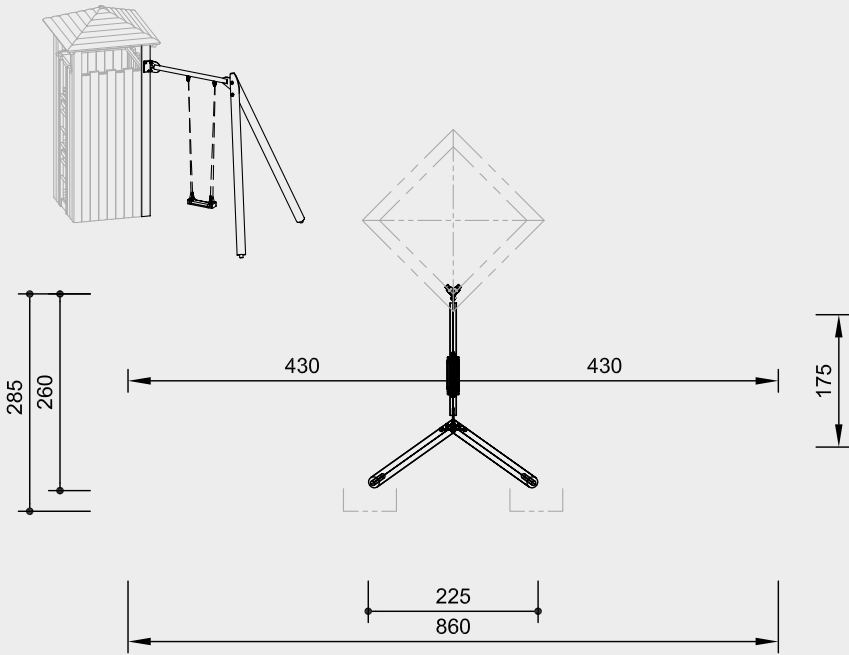
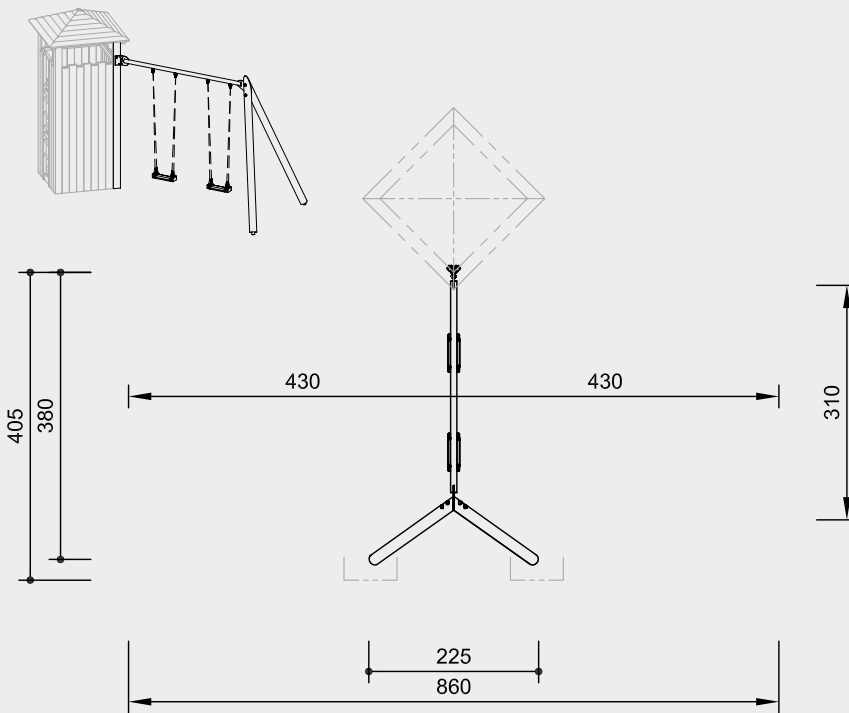


**Order No. 3.19032**  
**High Swing special**  
 for attachment to corner on  
 Square Tower with roof 2.00 m (**Order No. L3.20600**)

Safety distance —————>  
 Device dimensions ———●———  
 Functional distance ———|———



**Order No. 3.19042**  
**High Twin Swing special**  
 for attachment to corner on  
 Square Tower with roof 2.00 m (**Order No. L3.20600**)



Scale 1:100

Safety check according to DIN EN 1176

**Technical information**

**For a description of the materials used for the attachment swings, please refer to Movement > Swinging.**

**Dimensions**

(small deviations possible)

**Order No. 3.19032**  
**High Swing special**

Height	3.00 m
Vertical clearance	2.80 m
Length	2.60 m
Width	2.25 m
Weight	130 kg

**Order No. 3.19042**  
**High Twin Swing special**

Height	3.00 m
Vertical clearance	2.80 m
Length	3.80 m
Width	2.25 m
Weight	150 kg

**Components**

**Order No. 3.19032**

- 2 Stand posts with steel feet
- 1 Cross beam made of steel with joints
- 1 Swing seat with chains

**Order No. 3.19042**

- 2 Stand posts with steel feet
- 1 Cross beam made of steel with joints
- 2 Swing seats with chains

**Installation information**

Surfacing requirements corresponding to a fall height of ≤ 2.00 m (please refer to price list for more detailed information)

Foundations  
 2 items 60 x 70 x 40 cm  
 Excavation depth 60 cm

**Attention:**  
**Exact measurements may vary; for all installation dimensions refer to current assembly instructions.**  
 Technical changes reserved.

© Richter Spielgeräte GmbH 06/22

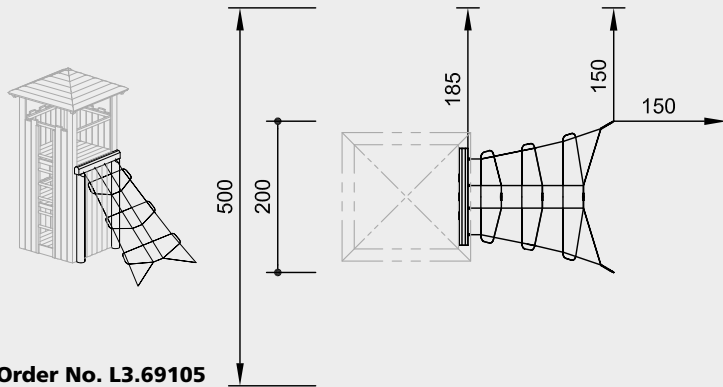


**3.19032**

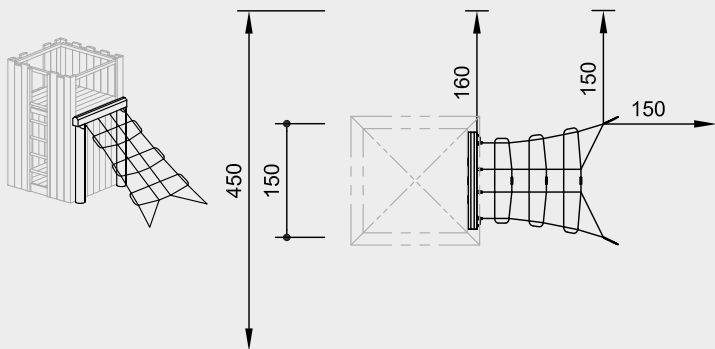


**3.19042**

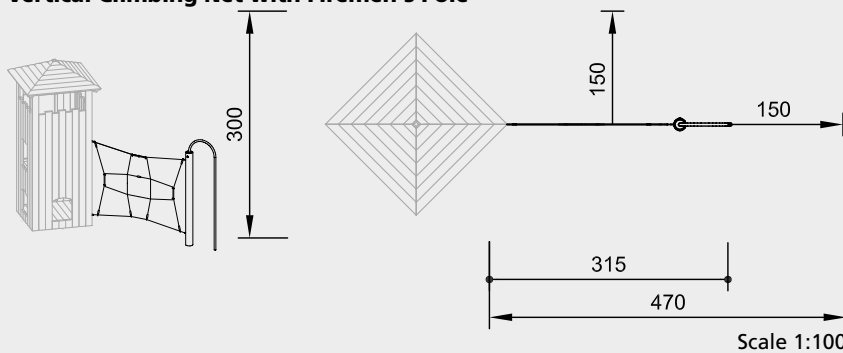
**Order No. L3.69103**  
**Inclined Climbing Net**  
 for attachment on Square Tower with Roof 2.00 m (Order No. L3.20600)



**Order No. L3.69105**  
**Inclined Climbing Net**  
 for attachment on Square Tower 1.50 m (Order No. L3.20500)



**Order No. L3.69350**  
**Vertical Climbing Net with Fireman's Pole**



Safety check according to DIN EN 1176

**Components**

**Order No. L3.69103 / L3.69105**

- 1 Inclined net with cross beam, anchoring to the ground with chains and tensioning levers
- 2 Stand posts with steel feet

**Order No. L3.69350**

- 1 Vertical net with 1 stand post with steel foot
- 1 Bent fireman's pole

**Installation information**

Surfacing requirements corresponding to a fall height of  
**Order No. L3.69103** ≤ 2.00 m  
**Order No. L3.69105 / L3.69350** ≤ 1.50 m  
 (please refer to price list for more detailed information)

**Foundations**

- Order No. L3.69103 / L3.69105**
- 2 items 50 x 50 x 40 cm
- Excavation depth 80 cm
- 2 items 70 x 55 x 60 cm
- Excavation depth 80 cm
- Order No. L3.69350**
- 1 item 60 x 60 x 60 cm
- Excavation depth 80 cm
- 1 item 55 x 40 x 30 cm
- Excavation depth 50 cm



L3.69103



L3.69105



L3.69350

**Technical information**

Wooden parts made of non-impregnated mountain larch

**Richter Hercules type rope**

Richter Hercules type rope, a combination of galvanised six-strand steel cables and polyester yarn, diameter > 20 mm, laid and glued with very good abrasion resistance, strong sheathing even in the case of damage by puncturing



**Aluminium rope pressing**

Aluminium rope pressing, cylindrically pressed, with rounded ends



**S-connectors**

S-connectors Ø 8.1 mm, made of high-quality stainless steel, rounded



**Rope connection fixed**

Fixed rope connection without dangerous openings. Screw connection adjustable and countersunk in the wood



**Ground anchor**

All parts used for anchoring to the ground are made of hot-dip galvanised steel or stainless steel



**Order No. L3.69103 / L3.69105**  
**Inclined Climbing Net**

As above, but in addition with

**Core-free**

Sawn-timbers core-free, thus decreasing occurrences of cracking and undesired changes in shape



**Order No. L3.69350**  
**Vertical Climbing Net**

As above, but in addition with

**Peeled white**

Palisades peeled white means that bark, cambium and sapwood are removed, the natural shape of the trunk is preserved and can be experienced



**For more detailed explanation of the quality characteristics see price list.**

Fireman's pole made of stainless steel, Ø 42 mm

**Dimensions**

(small deviations possible)

**Order No. L3.69103**  
**Inclined Climbing Net**

Net 1.00 x 2.65 m

**Order No. L3.69105**  
**Inclined Climbing Net**

Net 1.00 x 2.20 m

Weight 180 / 155 kg

**Order No. L3.69350**  
**Vertical Climbing Net**

Height of net 2.00 m

Net size 1.75 x 2.50 m

Width 3.20 m

Weight 70 kg

**Attention:**

**Exact measurements may vary; for all installation dimensions refer to current assembly instructions.**

Technical changes reserved.