



Skills

Level 4: The MAMMAL in us – being timid means being able to express feelings. This is the way we improve our emotional perception and closeness and distancing behaviour. We get to know our needs, express emotions, and reflect on our experiences. Physical movements and senses become coordinated. Development of a sense of time. This is a basic prerequisite for anything to do with learning.

Body-hand-eye coordination is the basis for reading, writing and arithmetic skills as well as three-dimensional thinking.

How to perform the exercise

Moving on the EVOTRAINER® allows you to explore gravity and centrifugal forces. This is the basis for movement and orientation as well as the sense of laterality. Start off on the EVOTRAINER® by holding on to the disc with one hand and slowly beginning to walk as if you were on a circular treadmill. You can now alternate between speeding up and stopping abruptly as well as changing the position of the body. Shift your centre of gravity and vary your viewing direction to train your sense of balance at this level.

Skills

Level 5: The MONKEY in us – being ego-centric means being able to look after yourself, while sharing promotes peace. This is the way we train our handling with balance.

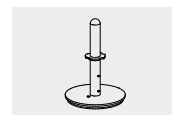
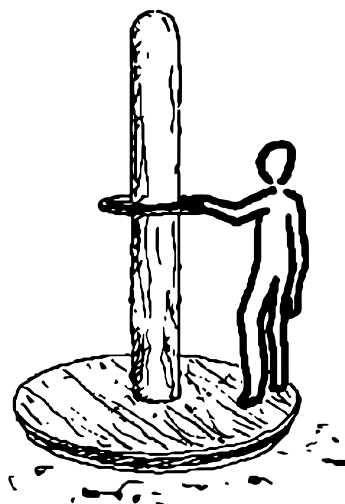
We discover the finer details of social behaviour. This allows us to try out, improve and emotionally experience our opportunities and possibilities. Colour and shape perception are trained as well as the ability to gain a general overview, and goal-oriented behaviour. Like a tribe of monkeys that jump, hop, climb and move around on unsteady surface, this balance game also helps us to improve our social behaviour.

How to perform the exercise

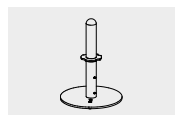
Start off on the EVOTRAINER® by holding on to the disc with one hand and slowly beginning to walk as if you were on a circular treadmill. You can now alternate between speeding up and stopping abruptly as well as changing the position of the body. The direction of movement should be forwards as well as backwards. All body positions are possible and desired: standing, kneeling, lying, pulling yourself up, swinging, spinning, building up momentum and looking upwards.



EVOTRAINER® Indoor
EVOTRAINER® Outdoor

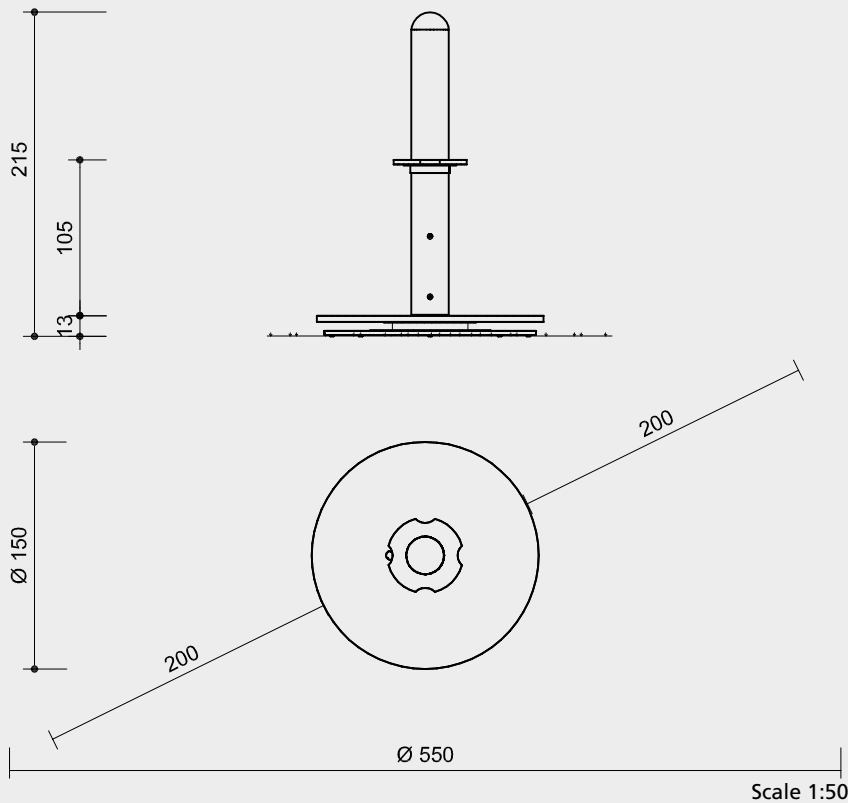


12.00400



12.00410

Order No. 12.00400 / 12.00410
EVOTRAINER® Indoor / EVOTRAINER® Outdoor



Technical information

Equipment made of non-impregnated mountain larch,

Core-free
 Sawn-timbers core-free, thus decreasing occurrences of cracking and undesired changes in shape



Plywood
 Plywood made of mountain larch, three-layer (3 cm) or five-layer (4 cm). High dimensional stability, waterproof, glued according to DIN EN 13353:2011



For more detailed explanation of the quality characteristics see price list.

Coated bearing

Handwheel made of larch 3-ply plywood board, stainless steel handrail fastening element

Top of base element made of larch 5-ply plywood

Order No. 12.00400
 Bottom base element made of birch plywood, 27 mm, waterproof glue laminated

Dimensions

(small deviations possible)

Order No. 12.00400	
EVOTRAINER® Indoor	
Height	2.15 m
Diameter	1.50 m
Weight	200 kg

Order No. 12.00410	
EVOTRAINER® Outdoor	
Height	2.15 m
Diameter	1.50 m
Weight	170 kg

Safety

This equipment is not playground equipment within the scope of DIN EN 1176 and therefore is also not subject to the requirements of this standard. However, it is complied with where appropriate.

Attention:
Exact measurements may vary; for all installation dimensions refer to current assembly instructions.
 Technical changes reserved.

Components

Order No. 12.00400
 1 EVOTRAINER® Indoor

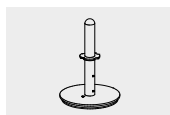
Order No. 12.00410
 1 EVOTRAINER® Outdoor
 for fixation with bolts

Installation information

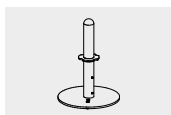
Order No. 12.00400
EVOTRAINER® Indoor
 Recommended space including operational space circle diameter 4.50 m
 no foundations required
 surfacing firm and level

Order No. 12.00410
EVOTRAINER® Outdoor
 Recommended space including operational space circle diameter 4.50 m
 Foundations 1 item 80 x 80 x 60 cm,
 excavation depth 60 cm

Note:
 The **EVOTRAINER® Indoor** play equipment is only suitable for use in indoor areas.
 The **EVOTRAINER® Outdoor** play equipment is only suitable for use in outdoor areas.



12.00400



12.00410