

**Play value**

A wobbly disc needs to be held in balance. The degree of difficulty can be selected individually. With or without holding on with the hands, with open or closed eyes, it is up to the person exercising to choose. The exercise is an entertaining challenge for young or old. Easy to read exercise instructions aid optimal usage.

**Recommended for**

- School children
- Young people
- Adults
- Older people
- Public play areas without supervision, such as playgrounds, parks or similar

**Effect**

The Street Car promotes balance. The change from being balanced to being unbalanced improves the coordination of the legs, the eyes and the sense of balance in an everyday-like situation.




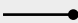

**Purpose**

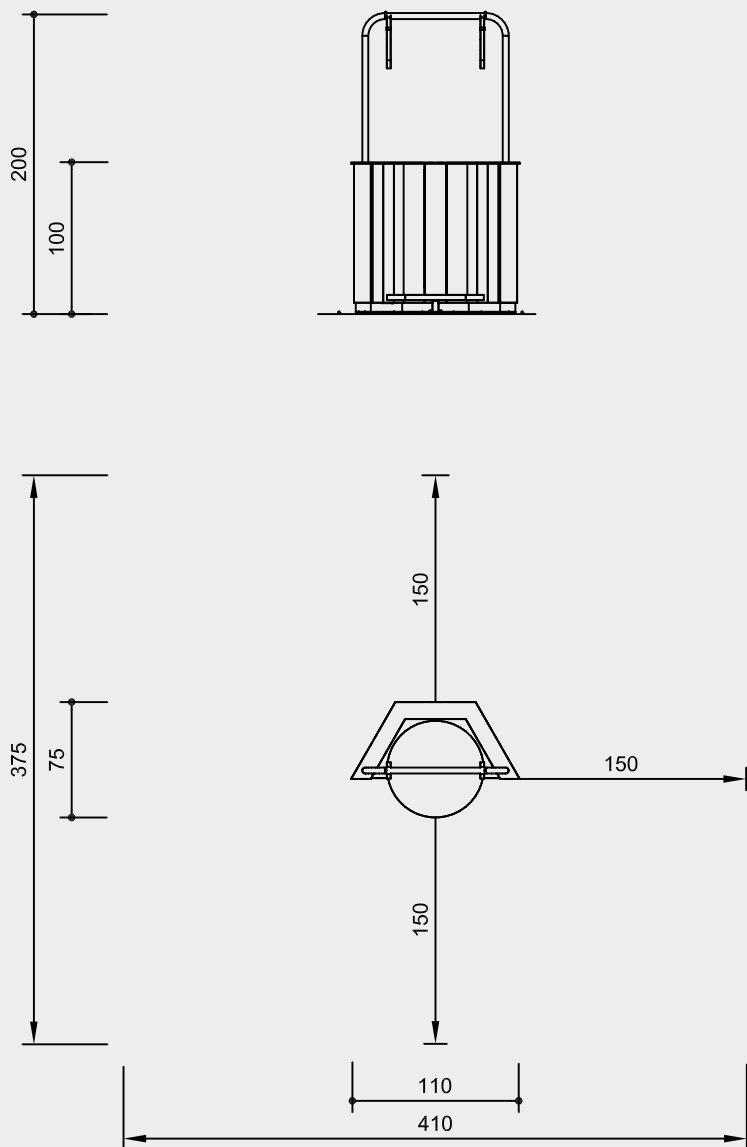
It's not difficult to stand with both legs on the ground. But if the ground starts moving it's no longer that easy. It is quite difficult to keep your balance in a moving bus, in a street car or in the train. The body goes through a learning process by consciously experiencing and feeling moments where balance is lost. It is only through exercise in a secure environment that the necessary stability can be gained.

**Street Car**



**Order No. 11.50202**  
**Street Car**

Safety distance   
Device dimensions   
Functional distance 



Scale 1:50

**Technical information**

Equipment made of non-impregnated mountain larch

**Core-free**

Sawn-timbers core-free, thus decreasing occurrences of cracking and undesired changes in shape



**Sintered bush**

For all reciprocating movements we use sintered plain bearings which are self-lubricating in use and can easily be exchanged if necessary



**Ground anchor**

All parts used for anchoring to the ground are made of hot-dip galvanised steel or stainless steel



**For more detailed explanation of the quality characteristics see price list.**

Hot dip galvanised substructure

Grip bar made of stainless steel

Handle straps made of plastic

Wobbling dish made of hot dip galvanised textured metal, painted in various colours, standard colour yellow

**Dimensions**

(small deviations possible)

Height	2.00 m
Length	1.10 m
Width	0.75 m
Weight approx.	125 kg

**Safety**

This equipment is not playground equipment within the scope of DIN EN 1176 and therefore is also not subject to the requirements of this standard. Nevertheless, it is complied with where appropriate.

**Components**

- 1 Street Car with explanation board
- 2 Heavy duty bolts

**Installation information**

Surfacing requirements corresponding to a fall height of  $\leq 2.00$  m (please refer to price list for more detailed information)

Foundations  
1 item 105 x 50 x 35 cm  
Excavation depth 35 cm

**Attention:**  
**Exact measurements may vary;**  
**for all installation dimensions refer to current assembly instructions.**  
Technical changes reserved.



11.50202